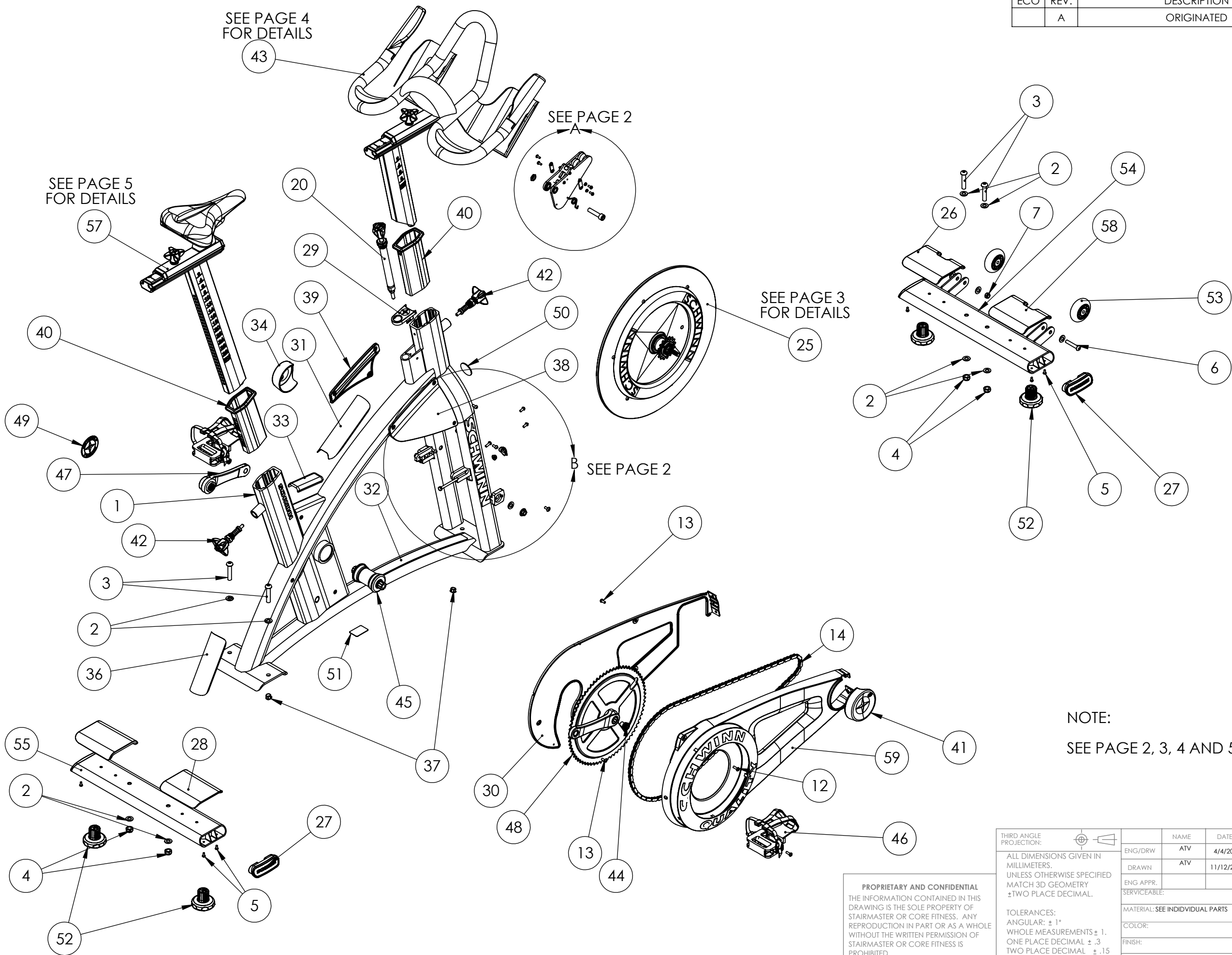



ECO	REV.	DESCRIPTION	DATE	APPROVED
	A	ORIGINATED	11/14/2012	ATV



NOTE:
SEE PAGE 2, 3, 4 AND 5 FOR DETAILED BOM'S

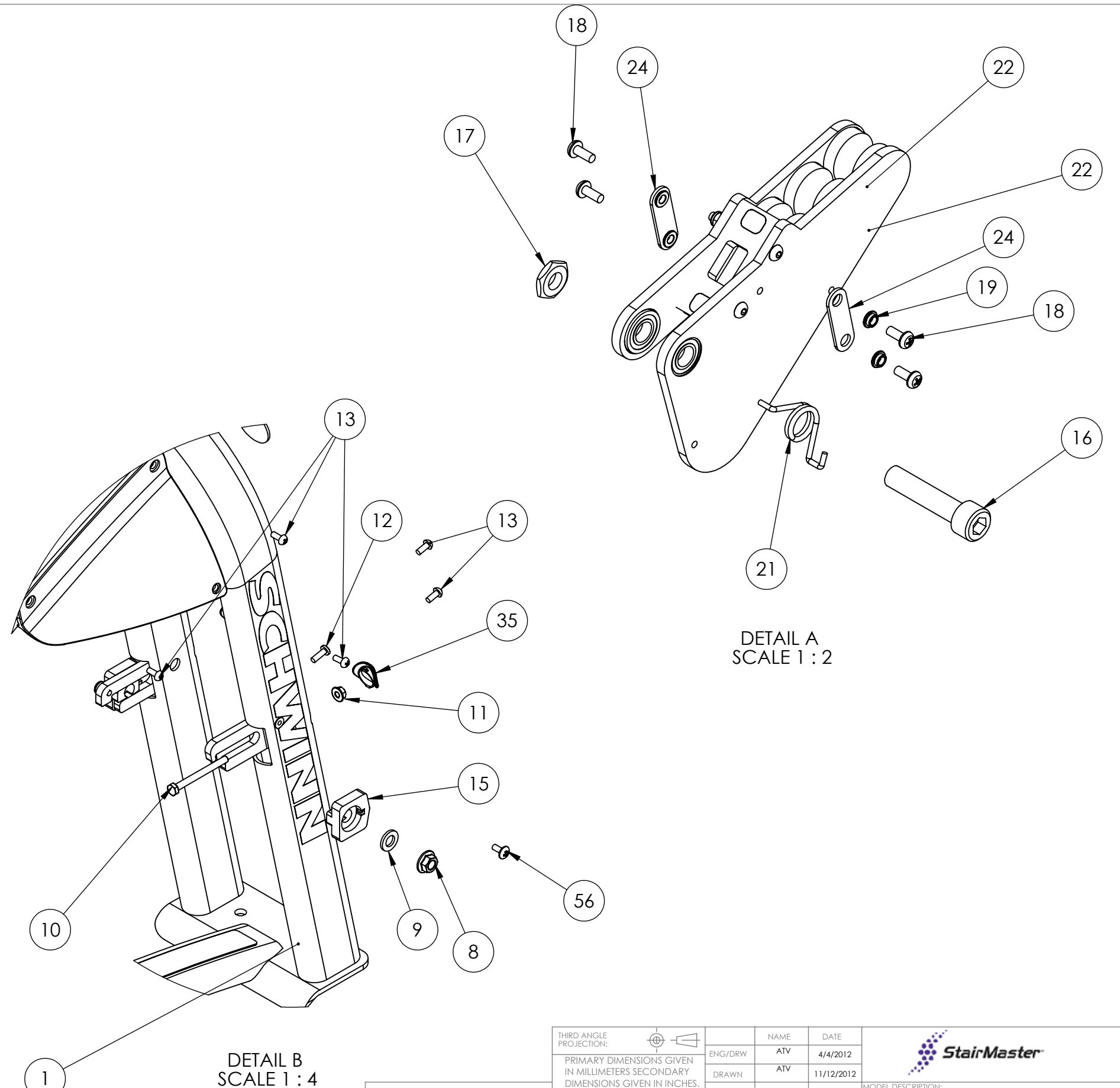
PROPRIETARY AND CONFIDENTIAL
THE INFORMATION CONTAINED IN THIS DRAWING IS THE SOLE PROPERTY OF STAIRMASTER OR CORE FITNESS. ANY REPRODUCTION IN PART OR AS A WHOLE WITHOUT THE WRITTEN PERMISSION OF STAIRMASTER OR CORE FITNESS IS PROHIBITED.

THIRD ANGLE PROJECTION: 
ALL DIMENSIONS GIVEN IN MILLIMETERS. UNLESS OTHERWISE SPECIFIED MATCH 3D GEOMETRY ± TWO PLACE DECIMAL.
TOLERANCES:
ANGULAR: ± 1°
WHOLE MEASUREMENTS ± 1.
ONE PLACE DECIMAL ± .3
TWO PLACE DECIMAL ± .15

ENG/DRW	NAME	DATE
ATV	ATV	4/4/2012
ATV	ATV	11/12/2012
	MATERIAL: SEE INDIVIDUAL PARTS	
	COLOR:	
	FINISH:	
	VENDOR PN:	

MODEL DESCRIPTION:		REV.
 AC PERFORMANCE PLUS SERVICE DRAWING		A
DRAWING:	000-0044	
SCALE: 1:33.3		SIZE: B SHEET: 1 OF 5

ITEM NO.	PART NO.	drawing view/QTY.	SERV.	DESCRIPTION
1	000-0019	1	NO	WELDMNT, MAINFRAME
2	000-0142	12	YES	WASHER, FL, M10, SS, NARROW
3	902-5050	4	YES	SCW-BHCS M10x1.5x50 SS
4	902-4172	4	YES	NUT NL M10-1.5 SS
5	000-0137	8	YES	SCREW, PHT, M4 X 10,SS
6	902-5033	2	YES	SCW-BHCS M8x1.25x45 SS
7	902-4171	2	YES	NUT, HEL, M8-1.25, SS
8	003-2357	2	YES	3/8 - 26 TPI HEX FLANGE NUT, SERRATED ZINC PLATED
9	washer acpp	2	YES	WAHWER, M8x2.3, SS, NARROW
10	000-0106	2	YES	SCREW, M6x1.0x60, HHM, SS
11	000-0107	2	YES	NUT, M6x1.0, SFL, SS
12	000-0099	3	YES	SCREW, PHP, M5x0.8x25, SS
13	902-5550	11	YES	SCW-RHP M5x0.8x12 SS
14	005-0016	1	YES	CHAIN, 1/2" X 1/8", 122 LINKS
15	000-0102	2	YES	CHAIN TENSION BLOCK
16	902-5701	1	YES	SCW-SHCS M10-1.5x45 SS
17	902-4182	1	YES	NUT HEX M10 - 1.5 SS
18	902-4986	4	YES	SCREW, PHP, M4x0.7x10, SS
19	001-0541	4	YES	BRONZE BUSHING, BRAKE ADJUSTMENT LINK
20	000-0098	1	YES	BRAKE ADJMENT HOUSING ASSY
21	003-8569	1	YES	TORSION SPRING, BRAKE
22	001-0750	1	YES	ASSEMBLY, BRAKE CARRIAGE
23	001-0535	1	YES	THREADED BRAKE ADJUSTMENT NUT
24	001-0540	2	YES	LINK, BRAKE ADJUSTMENT SIDE
25	000-0132	1	YES	FLYWHEEL, ACPV2
26	000-0141	1	YES	PAD, STABILIZER, FRONT RIGHT
27	000-0136	4	YES	END CAP, STABILIZER
28	000-0043	2	YES	PAD, FEET PROTECTOR, WITH ADHESIVE
29	000-0124	1	YES	BRAKE ADJUSTMENT CAP
30	000-0123	1	YES	CHAIN GUARD BACK
31	000-0143	1	YES	STRECH PAD, TOP TUBE, UPPER SECTION
32	000-0119	1	YES	STRECH PAD, BOTTOM TUBE
33	000-0118	1	YES	STRECH PAD, STEP OVER GUSSET
34	000-0115	1	YES	COVER, CHAIN TENSIONER LEFT
35	000-0113	2	YES	PLUG, TENSION BOLT, RIGHT
36	000-0112	1	YES	STRECH PAD, TOP TUBE, LOWER SECTION
37	000-0111	2	YES	PLUG, 13.5MM
38	000-0035	1	YES	SWEATGUARD RIGHT ASSY
39	000-0036	1	YES	SWEATGUARD, LEFT, ASSY
40	000-0105	2	YES	SLEEVE, POST, ASSY
41	000-0100	1	YES	COVER, RIGHT DROP OUT
42	002-2265	2	YES	POP PIN ASSEMBLY
43	000-0150	1	NO	HANDLEBAR ASSY
44	80044	2	YES	CRANK BOLT 8MM HEX FOR ISIS
45	003-1508	3	YES	ISIS BB, 68 X 113mm
46	000-0011	1	YES	AC PEDAL ASSY SET (1261-WAMD10-001)
47	002-2780	1	YES	RIGHT CRANK ARM, ISIS
48	005-0018	1	YES	RIGHT CRANK ARM, ASSY, 1/8"
49	000-0097	1	YES	Schwinn Quality badge 65mm
50	000-0096	1	YES	Schwinn Quality badge 40mm
51	000-0120	1	NO	STICKER, SERIAL NUMBER, ACPV2
52	000-0148	4	YES	FEET, LEVELING, SPINNER
53	001-0688	2	YES	ASSEMBLY, TRANSPORT WHEEL
54	000-0140	1	YES	STABILIZER, FRONT, WDMT
55	000-0055	1	YES	STABILIZER REAR WDMT
56	000-0149	2	YES	SCREW, M5X0.8 X 12, TRUSS HEAD, SS
57	000-0085	1	YES	SEAT ASSEMBLY
58	000-0163	1	YES	PAD,STABILIZER, FRONT LEFT
59	000-0037	1	YES	CHAIN GUARD OUTER



DETAIL A
SCALE 1 : 2

DETAIL B
SCALE 1 : 4

PROPRIETARY AND CONFIDENTIAL
 THE INFORMATION CONTAINED IN THIS DRAWING IS THE SOLE PROPERTY OF STAIRMASTER OR CORE FITNESS. ANY REPRODUCTION IN PART OR AS A WHOLE WITHOUT THE WRITTEN PERMISSION OF STAIRMASTER OR CORE FITNESS IS PROHIBITED.

THIRD ANGLE PROJECTION:

PRIMARY DIMENSIONS GIVEN IN MILLIMETERS SECONDARY DIMENSIONS GIVEN IN INCHES. UNLESS OTHERWISE SPECIFIED MATCH 3D GEOMETRY ± TWO PLACE DECIMAL.

TOLERANCES:
 ANGULAR: ± 1°
 WHOLE MEASUREMENTS ± 1.
 ONE PLACE DECIMAL ± .3
 TWO PLACE DECIMAL ± .15

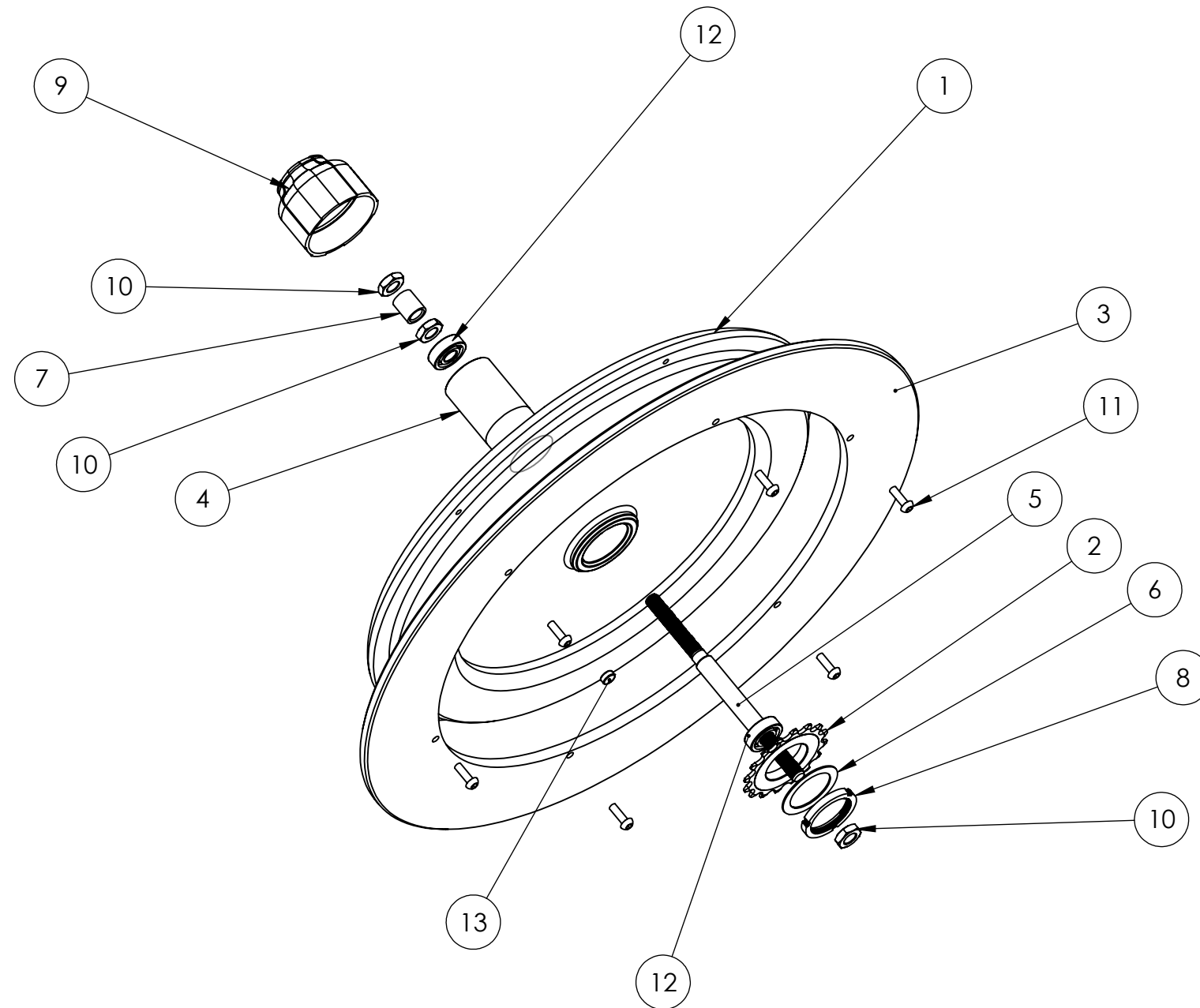
ENG/DRW	NAME	DATE
ATV	ATV	4/4/2012
ATV	ATV	11/12/2012
ENG APPR. SERVICEABLE:		
MATERIAL: SEE INDIVIDUAL PARTS		
COLOR:		
FINISH:		
VENDOR PN:		

MODEL DESCRIPTION:
AC PERFORMANCE PLUS SERVICE DRAWING

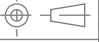
DRAWING: 000-0044 REV. A

SCALE: 1:33.3 SIZE: B SHEET: 2 OF 5

ITEM NO.	PART NO.	QTY.	SERV.	DESCRIPTION
1	001-0574	1	YES	FLYWHEEL
2	015-0010	1	YES	COG, 16TOOTH, 1/8"
3	001-0575	1	YES	ALUMINUM RESISTANCE DISC
4	000-0128	1	NO	HUB, FLYWHEEL, NON SR
5	000-0129	1	YES	AXEL, FLY WHEEL
6	001-0759	1	YES	SPACER SPROCKET, NON SR FLYWHEEL
7	000-0131	1	YES	SPACER, 10MM ID X 15MM OD X 17MM
8	001-0758	1	YES	LOCK RING, FLYWHEEL HUB, NON SR
9	001-0783	1	YES	HUB COVER, FLYWHEEL
10	000-0130	4	YES	NUT, HEJ, M10-1.0
11	902-5000	6	YES	SCW-BHCS M5x0.8x16 SS
12	001-0583	2	YES	ROLLER BEARING, FLYWHEEL
13	001-0778	1	YES	MAGNET, SPEED SENSOR



PROPRIETARY AND CONFIDENTIAL
 THE INFORMATION CONTAINED IN THIS DRAWING IS THE SOLE PROPERTY OF STAIRMASTER OR CORE FITNESS. ANY REPRODUCTION IN PART OR AS A WHOLE WITHOUT THE WRITTEN PERMISSION OF STAIRMASTER OR CORE FITNESS IS PROHIBITED.

THIRD ANGLE PROJECTION: 
 PRIMARY DIMENSIONS GIVEN IN MILLIMETERS SECONDARY DIMENSIONS GIVEN IN INCHES. UNLESS OTHERWISE SPECIFIED MATCH 3D GEOMETRY ± TWO PLACE DECIMAL.
 TOLERANCES:
 ANGULAR: ± 1°
 WHOLE MEASUREMENTS ± 1.
 ONE PLACE DECIMAL ± .3
 TWO PLACE DECIMAL ± .15

	NAME	DATE
ENG/DRW	ATV	12/10/2009
DRAWN	ATV	11/12/2012
ENG APPR.		
SERVICEABLE:	YES	
MATERIAL:	组件	
COLOR:		
FINISH:		
VENDOR PN:		

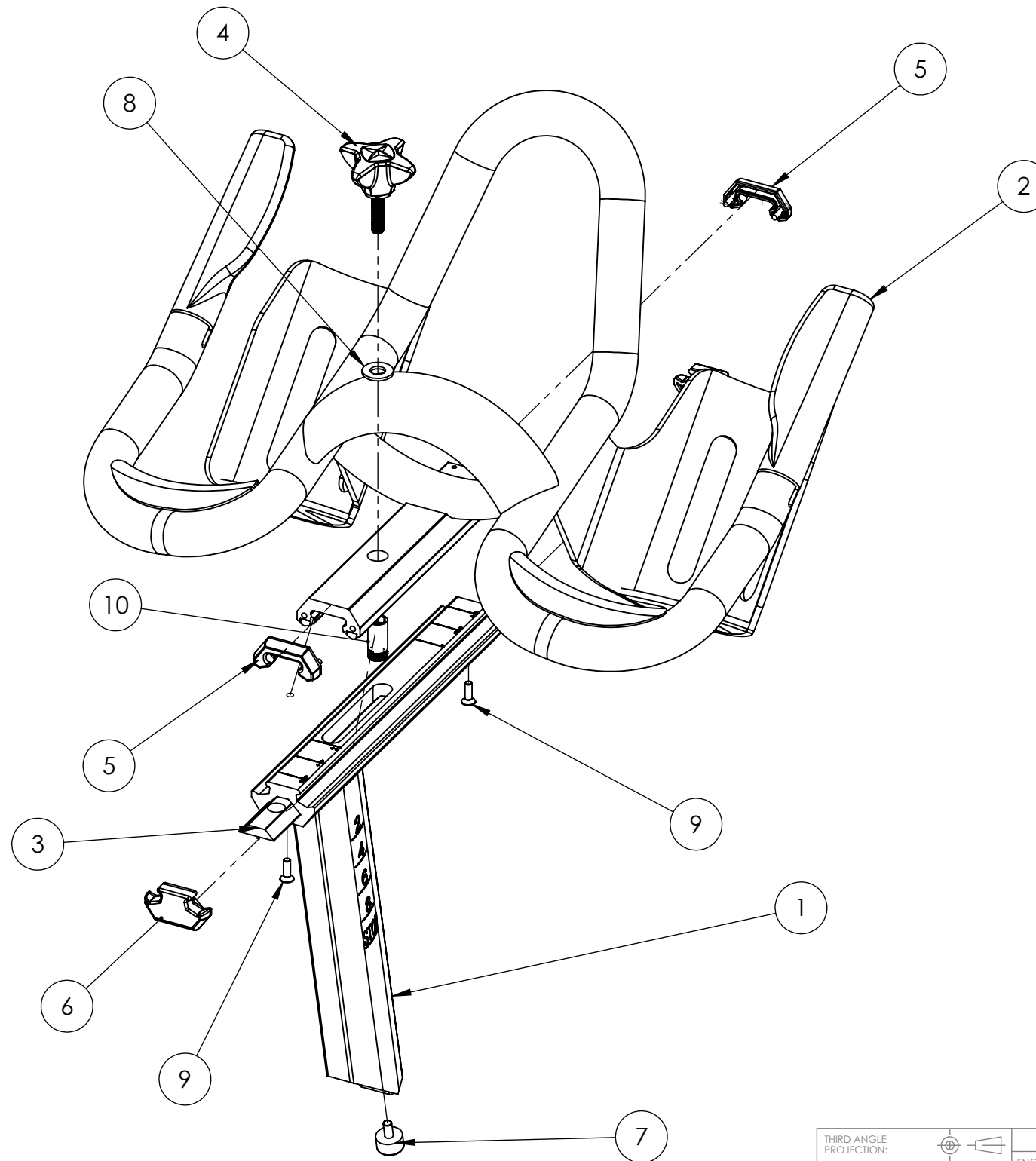


MODEL DESCRIPTION:
FLYWHEEL, ACPV2

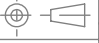
DRAWING: **000-0132** REV. **A**

SCALE: 1:33.3 SIZE: B SHEET: 3 OF 5

ITEM NO.	PART NO.	QTY.	SERV.	DESCRIPTION
1	000-0063	1	YES	HANDLEBAR POST, WDMT
2	000-0049	1	YES	HANDLEBAR W/ INSERTS
3	000-0054	1	YES	LOCKING NUT, FORE/AFT ADJ.
4	000-0074	1	YES	ADJUSTMENT SCREW, ASSY
5	000-0072	2	YES	END CAP, FORE AFT SLIDE
6	000-0073	2	YES	END CAP, LOWER SLIDE FORE AFT ADJ
7	000-0080	1	YES	BUMPER, THREADED M6
8	000-0078	1	YES	WASHER M8 WIDE
9	000-0075	2	YES	SCREW, M5X0.8 X 16, FLAT HEAD
10	000-0079	1	YES	THREADED COLLAR, LOCKING NUT



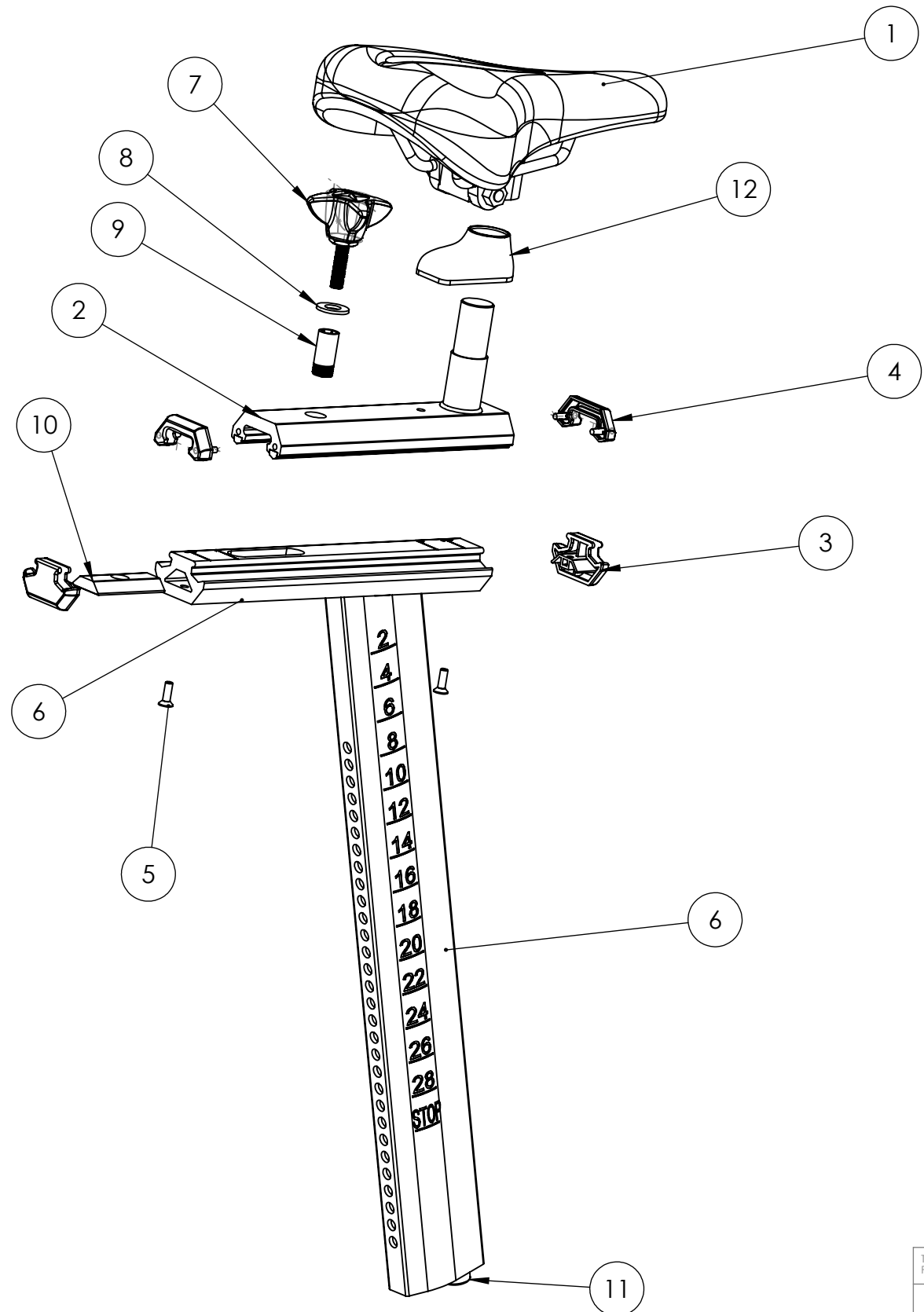
PROPRIETARY AND CONFIDENTIAL
 THE INFORMATION CONTAINED IN THIS DRAWING IS THE SOLE PROPERTY OF STAIRMASTER OR CORE FITNESS. ANY REPRODUCTION IN PART OR AS A WHOLE WITHOUT THE WRITTEN PERMISSION OF STAIRMASTER OR CORE FITNESS IS PROHIBITED.

THIRD ANGLE PROJECTION: 
 PRIMARY DIMENSIONS GIVEN IN MILLIMETERS SECONDARY DIMENSIONS GIVEN IN INCHES. UNLESS OTHERWISE SPECIFIED MATCH 3D GEOMETRY ± TWO PLACE DECIMAL.
 TOLERANCES:
 ANGULAR: ± 1°
 WHOLE MEASUREMENTS ± 1.
 ONE PLACE DECIMAL ± .3
 TWO PLACE DECIMAL ± .15

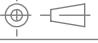
	NAME	DATE
ENG/DRW	KDH	4/5/2012
DRAWN	ATV	11/12/2012
ENG APPR.		
SERVICEABLE:	NO	
MATERIAL:		
COLOR:		
FINISH:		
VENDOR PN:		


 MODEL DESCRIPTION:
HANDLEBAR ASSY
 DRAWING: 000-0150 REV. 00-WC
 SCALE: 1:20 SIZE: B SHEET: 4 OF 5

ITEM NO.	PART NO.	QTY.	SERV.	DESCRIPTION
1	003-5821	1	YES	VELO SADDLE, 30610
2	000-0146	1	YES	FORE/AFT SLIDE, SEAT WITH INSERTS
3	000-0073	2	YES	END CAP, LOWER SLIDE FORE AFT ADJ
4	000-0072	4	YES	END CAP, FORE AFT SLIDE
5	000-0075	2	YES	SCREW, M5X0.8 X 16, FLAT HEAD
6	000-0082	1	YES	SEAT POST WELDMENT
7	000-0074	1	YES	ADJUSTMENT SCREW, ASSY
8	000-0078	1	YES	WASHER M8 WIDE
9	000-0079	1	YES	THREADED COLLAR, LOCKING NUT
10	000-0054	1	YES	LOCKING NUT, FORE/AFT ADJ.
11	000-0080	1	YES	BUMPER, THREADED M6
12	000-0153	1	YES	COVER, SEAT POST



PROPRIETARY AND CONFIDENTIAL
 THE INFORMATION CONTAINED IN THIS DRAWING IS THE SOLE PROPERTY OF STAIRMASTER OR CORE FITNESS. ANY REPRODUCTION IN PART OR AS A WHOLE WITHOUT THE WRITTEN PERMISSION OF STAIRMASTER OR CORE FITNESS IS PROHIBITED.

THIRD ANGLE PROJECTION: 
 PRIMARY DIMENSIONS GIVEN IN MILLIMETERS SECONDARY DIMENSIONS GIVEN IN INCHES. UNLESS OTHERWISE SPECIFIED MATCH 3D GEOMETRY ± TWO PLACE DECIMAL.
 TOLERANCES:
 ANGULAR: ± 1°
 WHOLE MEASUREMENTS ± 1.
 ONE PLACE DECIMAL ± .3
 TWO PLACE DECIMAL ± .15

ENG/DRW	NAME	DATE
KDH		4/11/2012
ATV		11/12/2012
ENG APPR.		
SERVICEABLE: YES		
MATERIAL: SEE INDIVIDUAL PARTS		
COLOR:		
FINISH:		
VENDOR PN:		


 MODEL DESCRIPTION:
SEAT ASSEMBLY
 DRAWING: 000-0085 REV. A
 SCALE: 1:20 SIZE: B SHEET: 5 OF 5